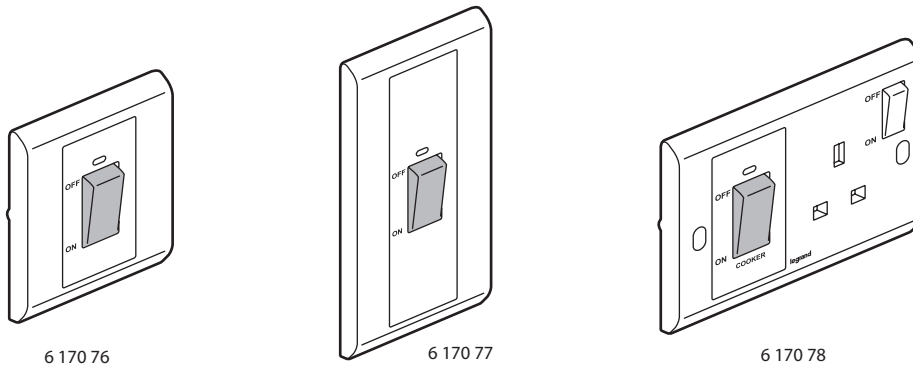


## Belanko™ 45 A switches

Cat. No.(s): 6 170 75/76/77/78 - 6 172 75/76/77  
6 173 75/76/77/78 - 6 174 75/76/77/78



6 170 76

6 170 77

6 170 78

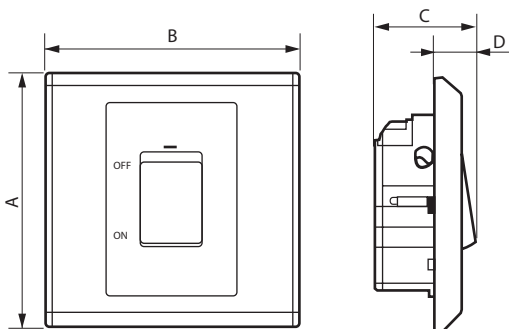
### 1. USE

High capacity double pole switch for the control of fixed appliances eg. cooker ovens, showers or air-conditioning units. Only available with neon «power on» indicator.  
Complete delivered.  
For flush-mounting or surface-mounting box.  
Supplied with 2 screws M3.5 for BS boxes.  
35 mm recommended depth back boxes.

### 2. RANGE

Description	White	Ivory	Dark Grey	Brown
2-gang 45 A DP switch + neon	6 170 77	6 172 77	6 173 77	6 174 77
1-gang 45 A DP switch + neon	6 170 76	6 172 76	6 173 76	6 174 76
1-gang 45 A DP switch	6 170 75	6 172 75	6 173 75	6 174 75
45 A DP switch + red neon and 13 A BS switched socket	6 170 78	-	6 173 78	6 174 78

### 3. DIMENSIONS



	A	B	C	D
6 17x 75/76	86	86	34.5	14
6 17x 77	146	86	34.5	14
6 17x 78	86	146	34	15.5

Profile size: 86 x 146 mm - 146 X 86 mm  
Distance of installation hole: 120.6 mm  
Profile size: 86 x 86 mm  
Distance of installation hole: 60.3 mm

### 4. CONNECTION

Type of terminals: with screws  
Terminal capacity: 1 x 16 mm<sup>2</sup> - 1 x 10 mm<sup>2</sup> - 2 x 6 mm<sup>2</sup> - 3 x 4 mm<sup>2</sup>  
Stripping length: 24 mm for L/N  
8 mm for earth  
Screwdriver size: 5.5 mm flat blade

### 5. TECHNICAL CHARACTERISTICS

#### ■ 5.1 Mechanical characteristics

- Impact tests: IK 04  
- Protection against solid bodies and liquids: IP 40

#### ■ 5.2 Material characteristics

Thermoplastic with glossy finish (White, Ivory)  
Colour: White T084: PC  
Ivory: PC  
Dark Grey: PC painted  
Brown: PC painted

Rear: grey  
Rocker: red  
Halogen free  
UV resistant

Self-extinguishing:

+ 850°C / 30 s for insulating parts holding live parts in place.  
+ 650°C / 30 s for other parts made of insulating materials.

#### ■ 5.3 Electrical characteristics

Voltage: 250 V~  
Current: 45 A

#### ■ 5.4 Climatic characteristics

Storage temperature: - 10°C to + 70°C  
Operating temperature: - 5°C to + 35°C

### 6. CLEANING

Surface cleaning with a soft, slightly damp cloth.  
Do not use: acetone, tar remover, trichloroethylene.

**Caution:** An initial test is required for the use of other special maintenance products.

### 7. STANDARDS AND APPROVALS

Compliance with standards of installation and manufacturing.  
See e. catalogue.